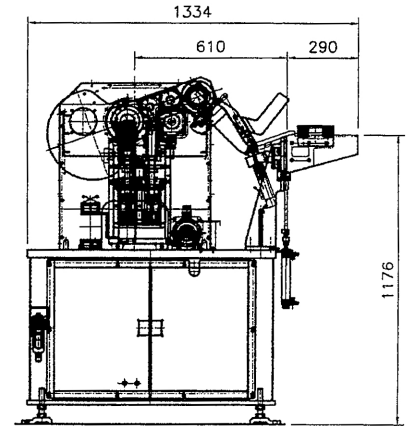
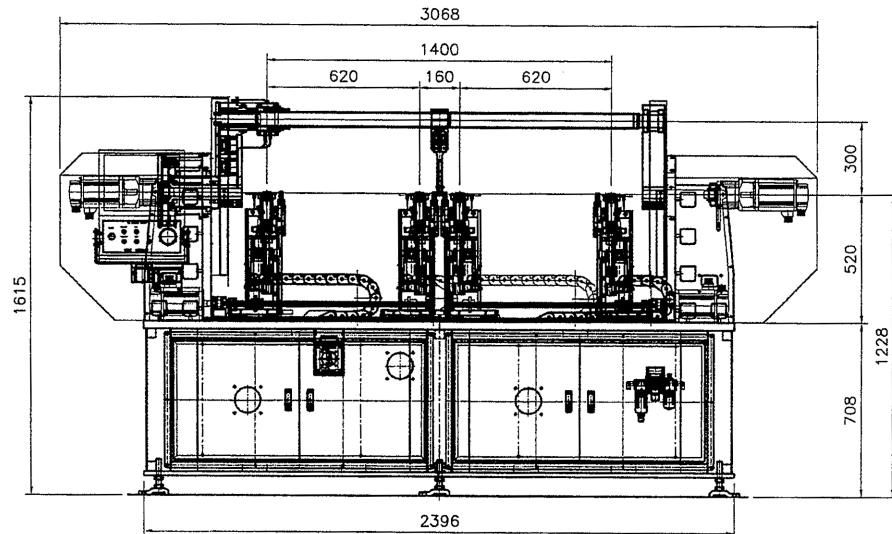
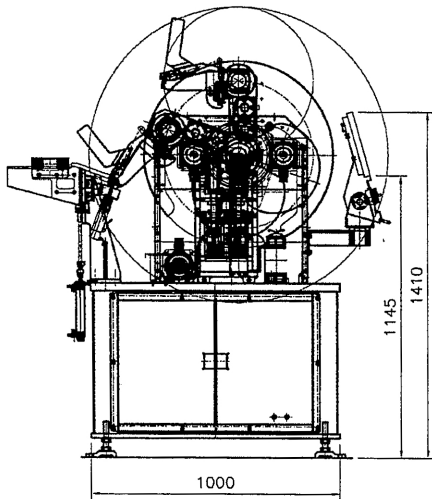
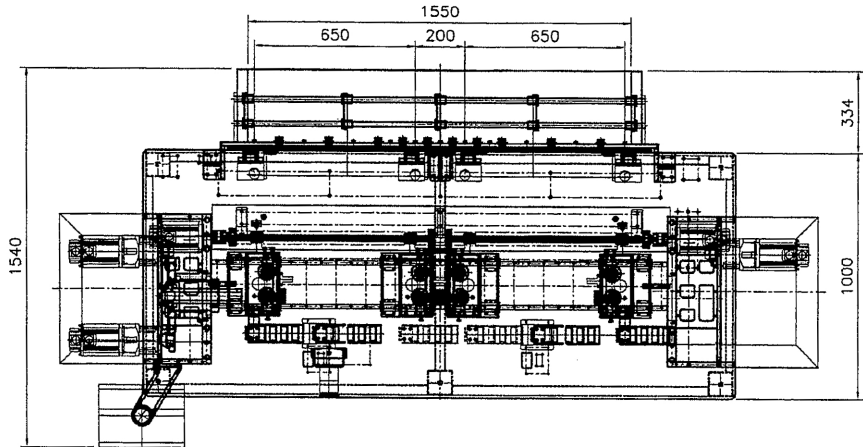


REV. NO	REVISION RECORD	DATE	CK
1			



NO.	PART NAME	MATERIAL	QUANTITY	WEIGHT	REMARK
<p><i>TWO-HEAD WIRE BENDING MACHINE (DR50)</i></p> <p><i>LAY-OUT</i></p>					DRAW
					DESIGNED
					CHECKED
					APPROVED
<p>NICE</p>					DATE 2013. 03. 12
					DWG NO. <i>WBM-DR50-1-LAY</i>
					REF NO.