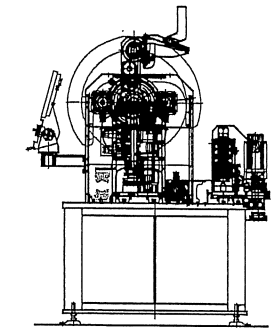
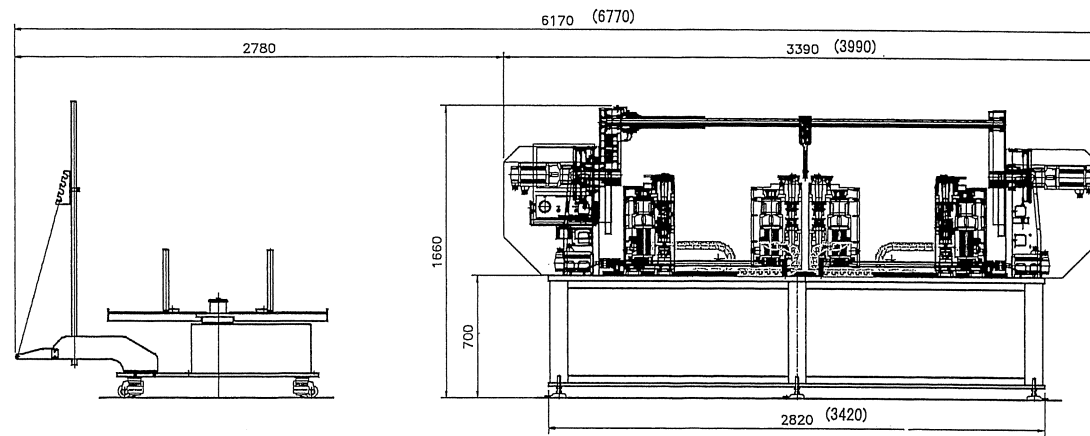
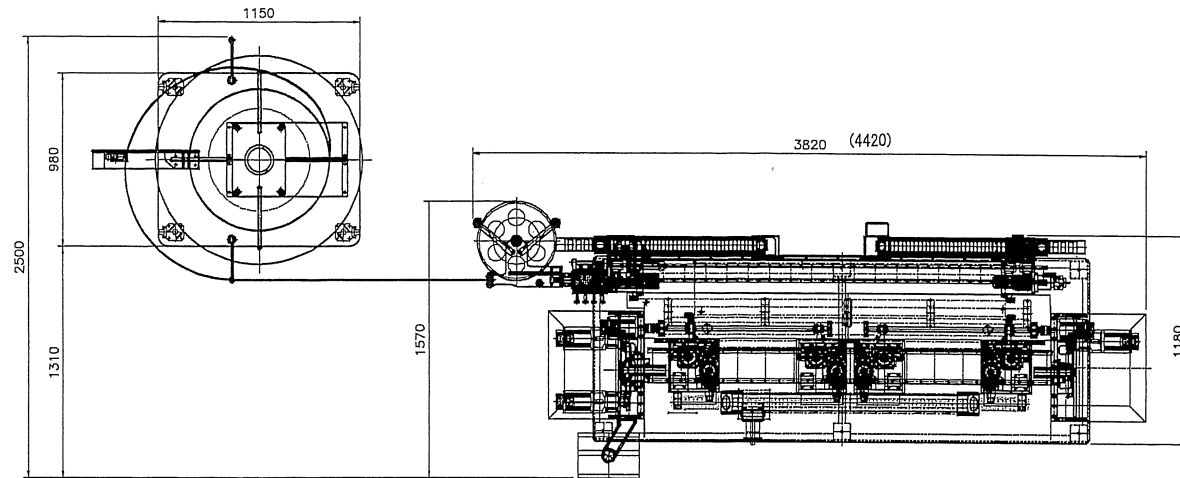


DWG. NO.

REV. NO	REVISION RECORD	DATE	CHK
1			



※()内は 2400 タイプの寸法です。

NO.	PART NAME	MATERIAL	QUANTITY	WEIGHT	REMARK	
WIRE BENDING MACHINE					☐	DRAW
DR70G-1800					⊕	SCALE
					—	CHECKED
						APPROVED
						DATE
						DWG. NO.
						REF. NO.

NICE 나이스맥