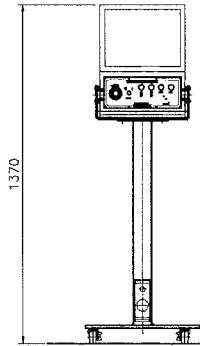
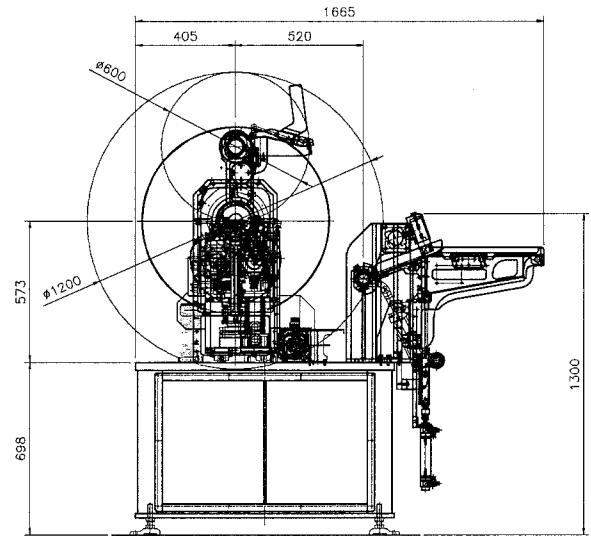
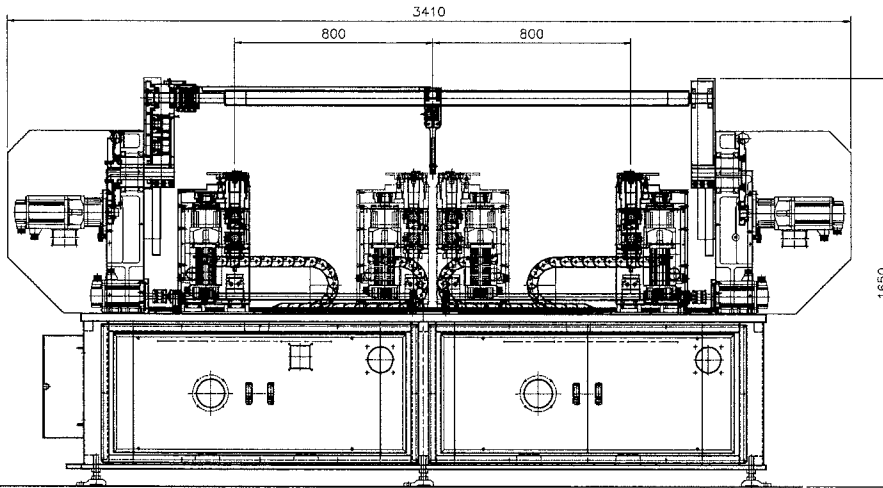
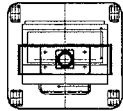
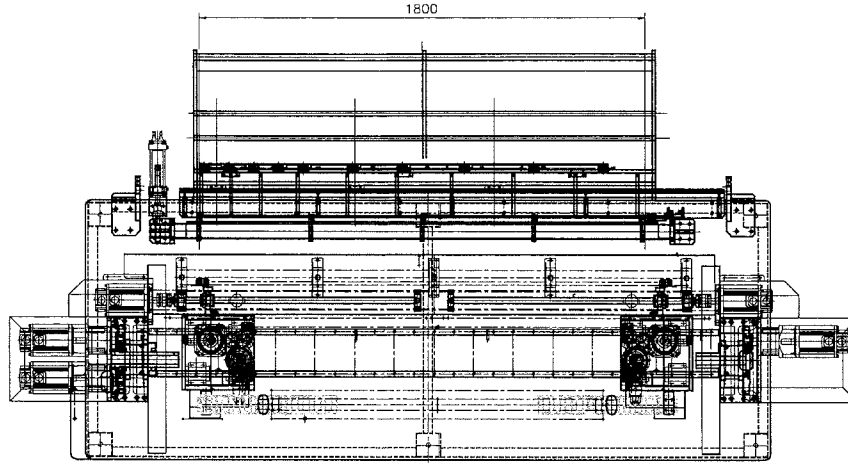


3D-DR70
S1800



NO.	PART NAME	MATERIAL	QUANTITY	WEIGHT	REMARK															
WIRE BENDING MACHINE:DR70-S1800					<table border="1"> <tr> <td>☐</td> <td>DRAW</td> <td></td> </tr> <tr> <td>SCALE</td> <td>DESIGNED</td> <td></td> </tr> <tr> <td>1/28</td> <td>CHECKED</td> <td></td> </tr> <tr> <td>A4</td> <td>APPROVED</td> <td></td> </tr> <tr> <td></td> <td>DATE</td> <td>2008. 02.21</td> </tr> </table>	☐	DRAW		SCALE	DESIGNED		1/28	CHECKED		A4	APPROVED			DATE	2008. 02.21
☐	DRAW																			
SCALE	DESIGNED																			
1/28	CHECKED																			
A4	APPROVED																			
	DATE	2008. 02.21																		
<i>LAY-OUT</i>																				
NICE 나이스맥					DWG NO.															
					REF NO.															