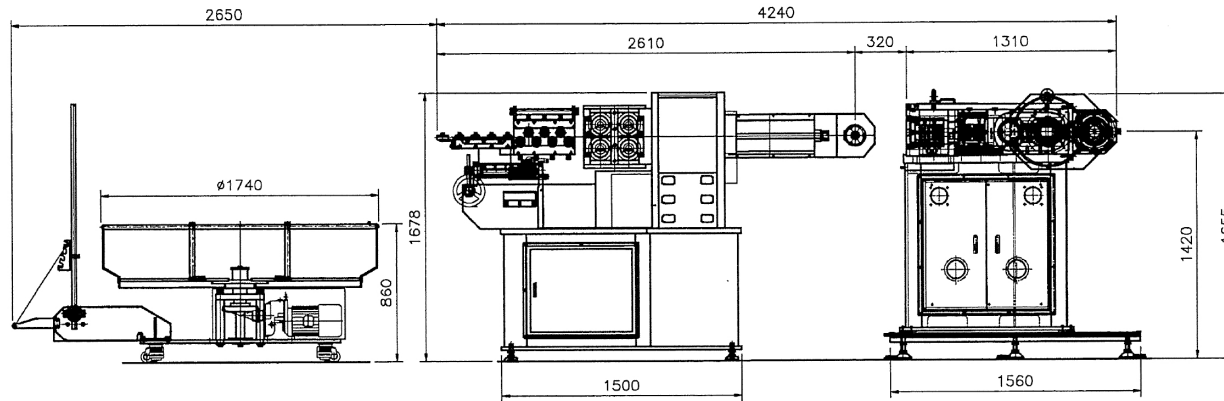
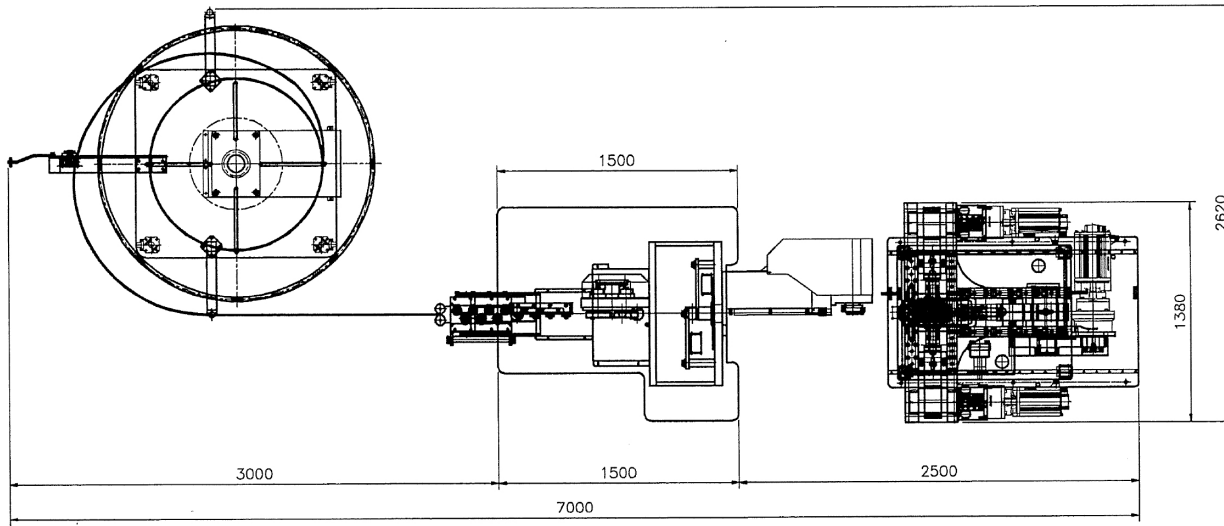


REV.NO	REVISION	RECORD	DATE	CK
1				



NO.	PART NAME	MATERIAL	QUANTITY	WEIGHT	REMARK
<i>HEDER MACHINE-NH13S</i>					<input type="checkbox"/> DRAW <input type="checkbox"/> DESIGNED <input type="checkbox"/> CHECKED <input type="checkbox"/> APPROVED <input type="checkbox"/> DATE
<i>LAY-OUT</i>					
<b>NICE</b> 나이스맥				DWG NO.	
				REF NO.	