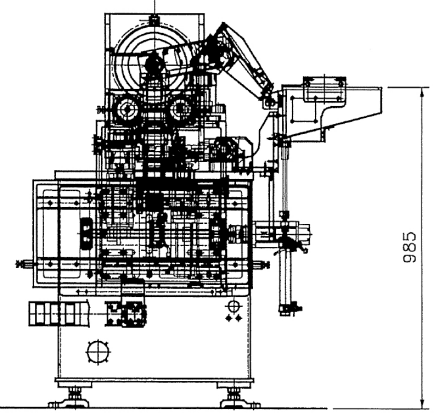
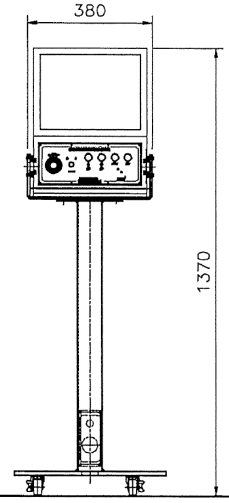
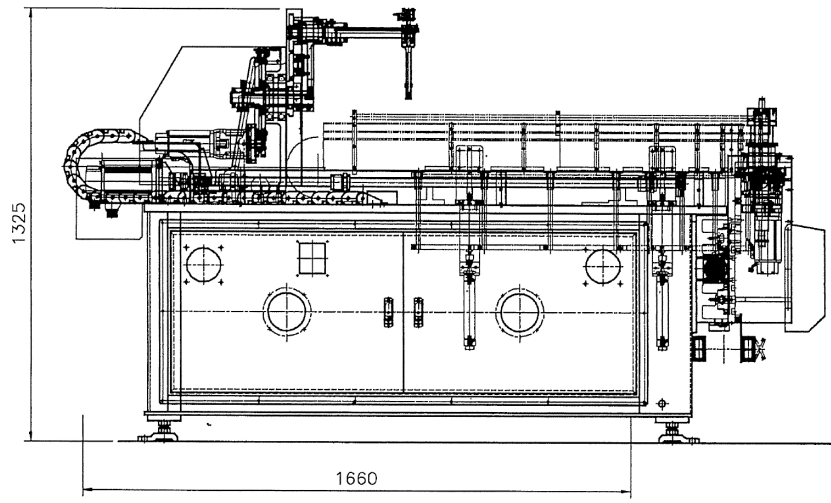
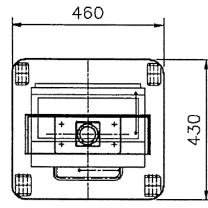
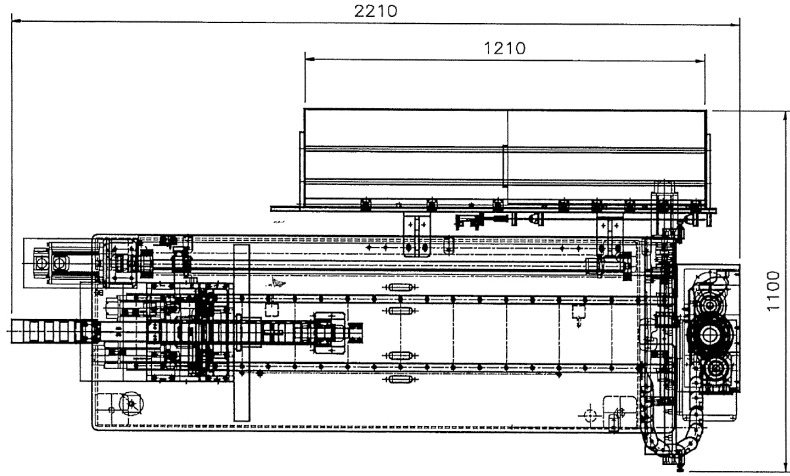


REV.NO	REVISION RECORD	DATE	CK
1			



NO.	PART NAME	MATERIAL	QUANTITY	WEIGHT	REMARK
<i>WIRE BENDING MACHINE(3D-OR70S)</i>					<input type="checkbox"/> DRAW <input type="checkbox"/> DESIGNED <input type="checkbox"/> CHECKED <input type="checkbox"/> APPROVED <input type="checkbox"/> DATE
<i>LAYOUT</i>					
NICE 나이스맥				DWG NO.	
				REF NO.	