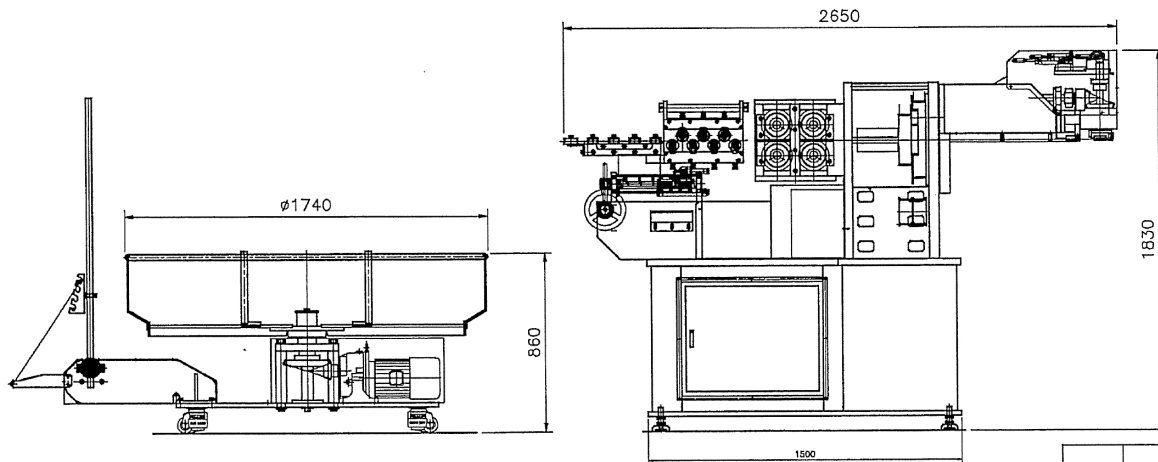
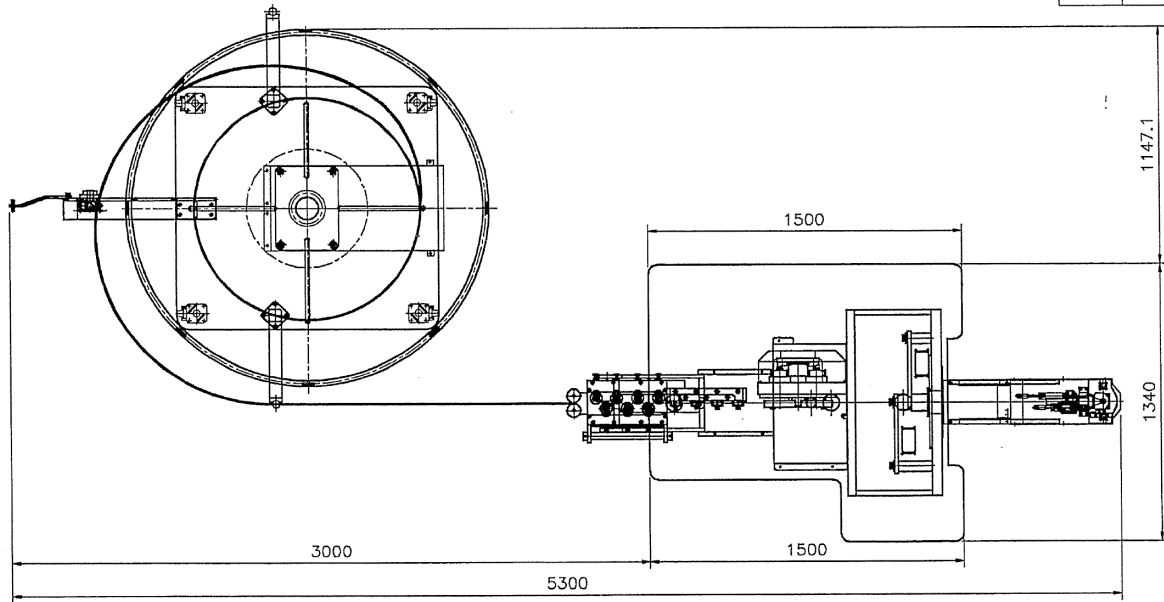


| REV.NO | REVISION | RECORD | DATE | CK |
|--------|----------|--------|------|----|
| 1 | | | | |



| NO. | PART NAME | MATERIAL | QUANTITY | WEIGHT | REMARK |
|----------------------------------|-----------|----------|----------|--------|--|
| <i>WIRE BENDING MACHINE-R130</i> | | | | | <input type="checkbox"/> DRAW <input type="checkbox"/> DESIGNED <input type="checkbox"/> CHECKED <input type="checkbox"/> APPROVED <input type="checkbox"/> DATE |
| <i>3D-R130</i> | | | | | DWG NO. REF NO. |
| NICE | | | | | |