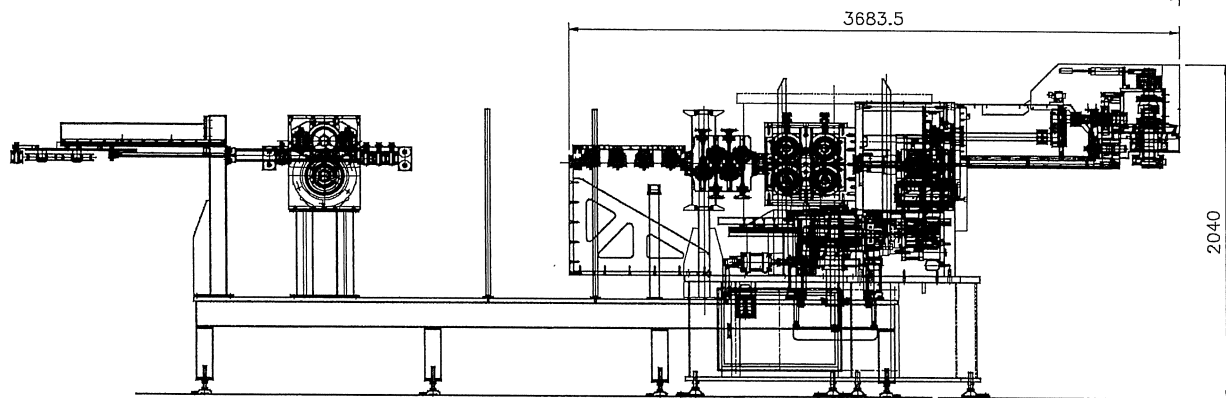
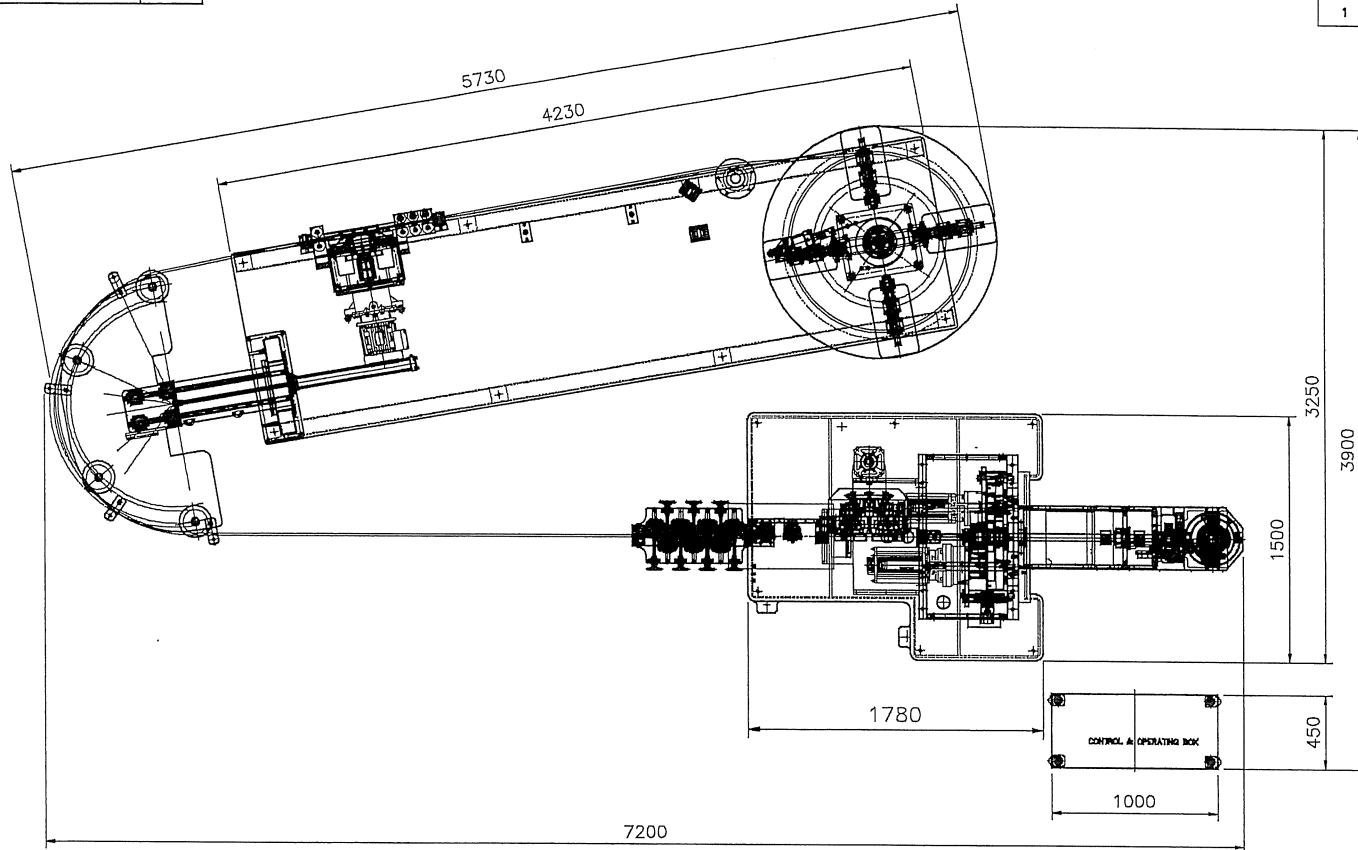


ON'DWG

REV.NO	REVISION RECORD	DATE	CK
1			



NO.	PART NAME	MATERIAL	QUANTITY	WEIGHT	REMARK
WIRE BENDING MACHINE : 3D-R160					☐ ← DRAW
LAYOUT					SCALE DESIGNED
					CHECKED
					APPROVED
					A4 DATE
NICE 나이스맥					DWG NO.
					REF NO.