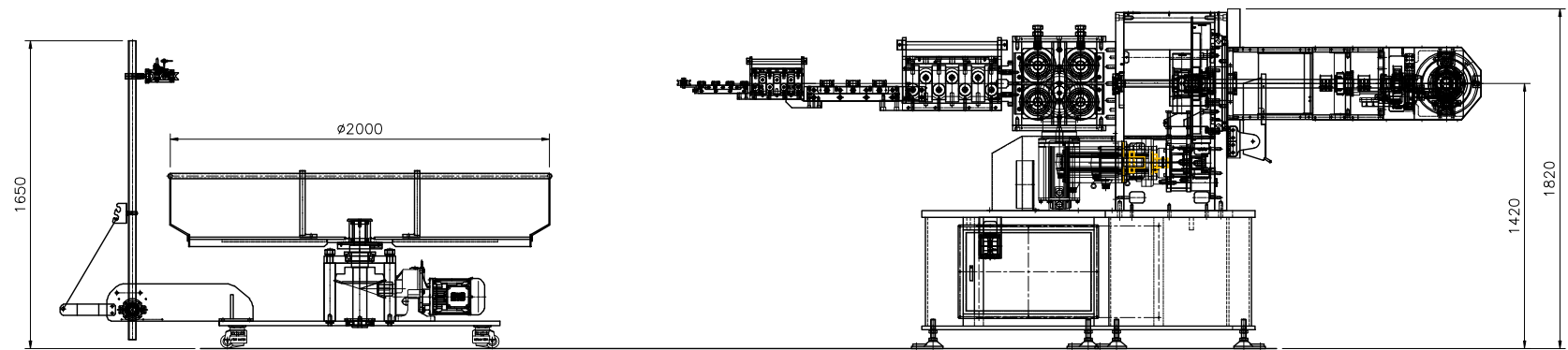
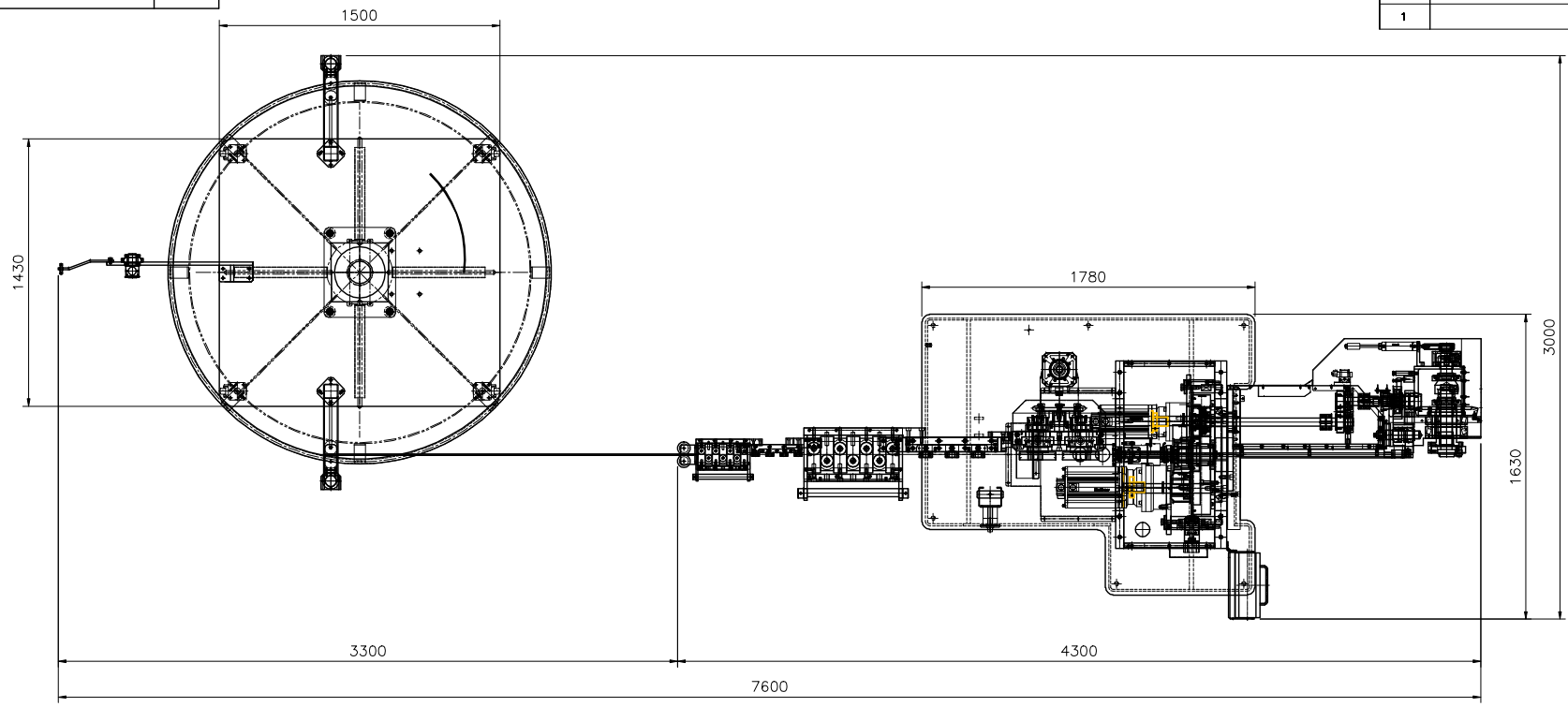


DWG.NO

| REV.NO | REVISION | RECORD | DATE | CK |
|--------|----------|--------|------|----|
| 1 | | | | |



| NO. | PART NAME | MATERIAL | QUANTITY | WEIGHT | REMARK |
|---------------------------|-----------|----------|----------|--------|---|
| WIRE BENDING MACHINE-R160 | | | | | <input checked="" type="checkbox"/> DRAW <input type="checkbox"/> SCALE <input type="checkbox"/> DESIGNED <input type="checkbox"/> CHECKED <input type="checkbox"/> APPROVED <input type="checkbox"/> DATE |
| 3D-R160 | | | | | |
| 나이스맥 | | | | | DWG NO. |
| | | | | | REF NO. |