

DWG.NO

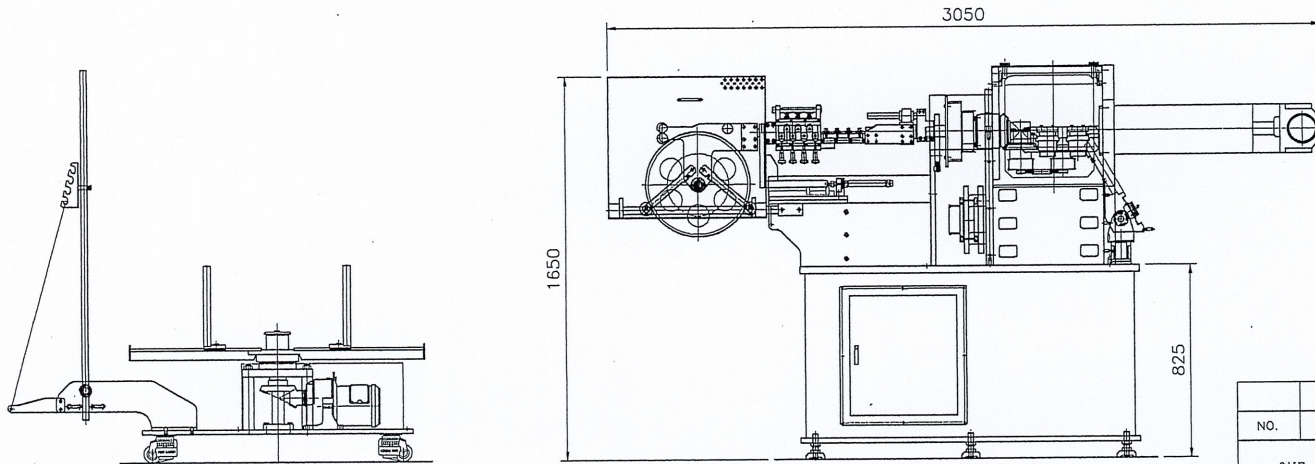
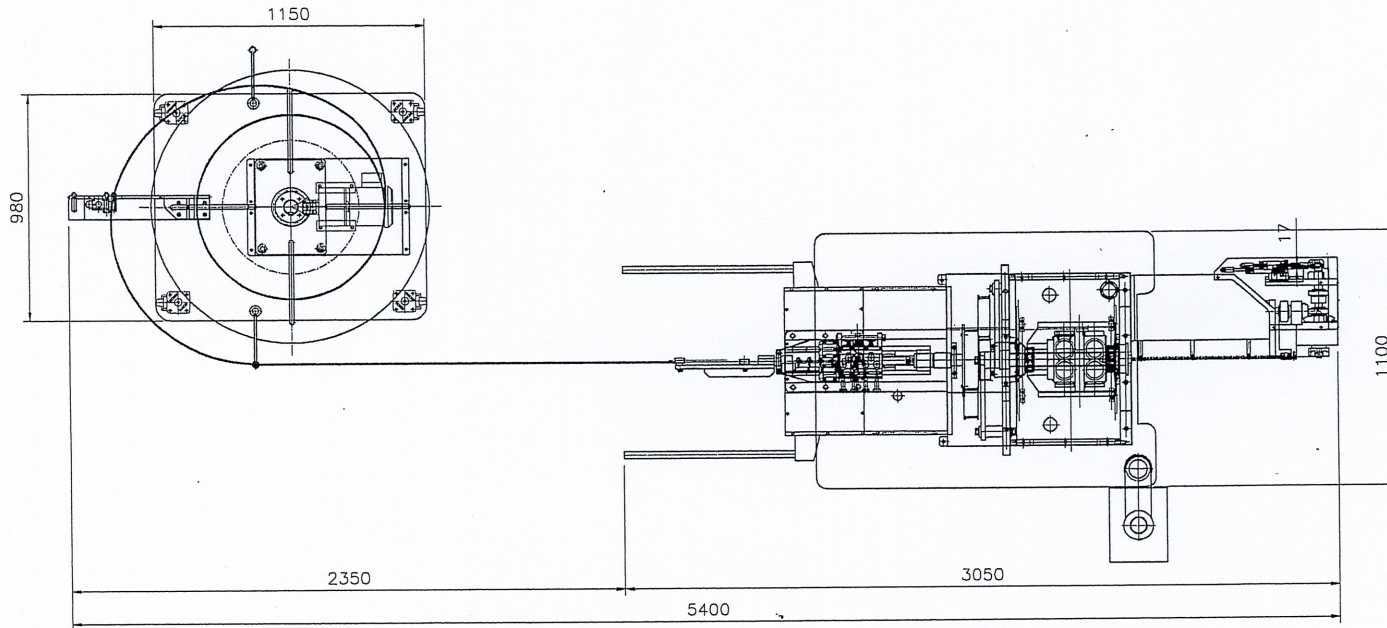
REV.NO

REVISION RECORD

DATE

CK

1



NO.	PART NAME	MATERIAL	QUANTITY	WEIGHT	REMARK
<p><i>ONE HEAD WIRE BENDING MACHINE-R70</i></p> <p><i>3D-R70</i></p>					DRAW
					SCALE
					CHECKED
					APPROVED
					DATE
					DWG NO.
					REF NO.

**NICE**